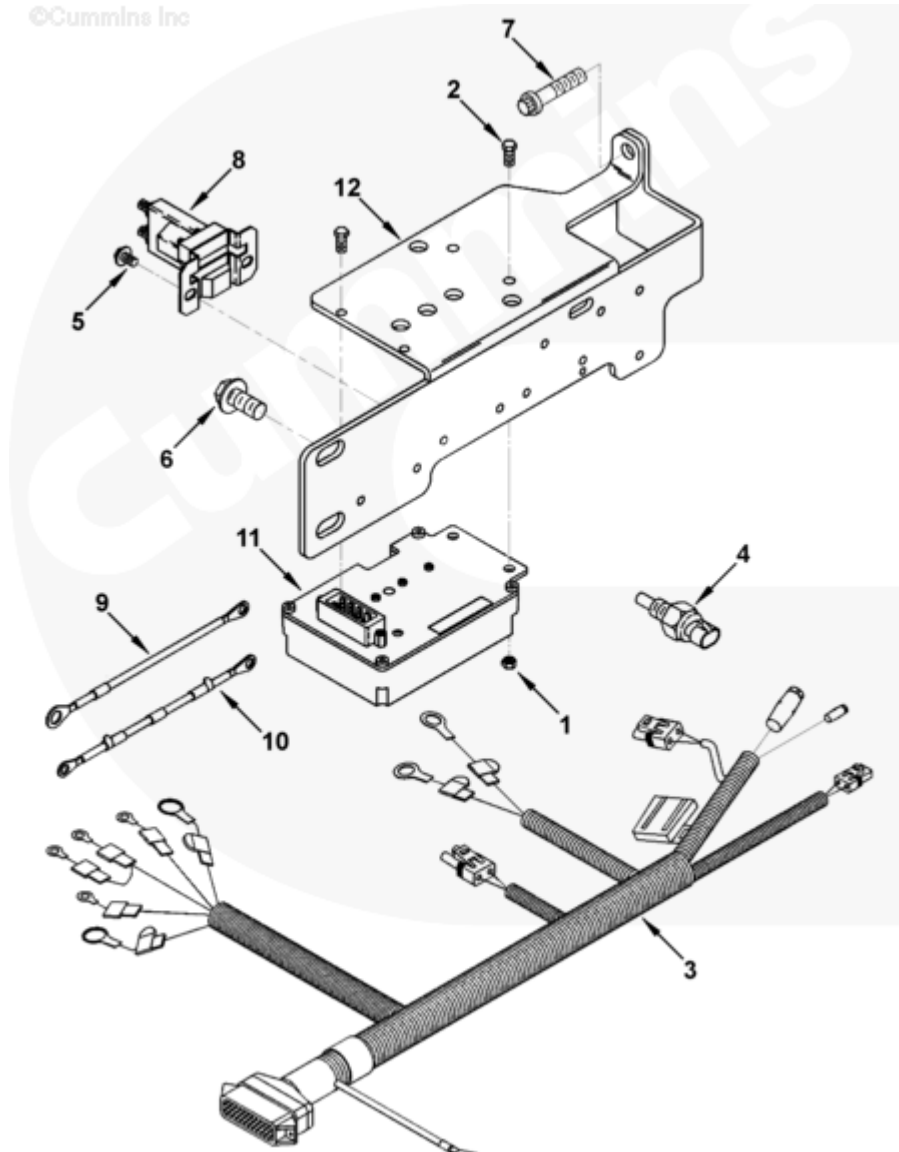




Parts Catalog - Option Detail

Electronic Parts Catalog - Option Detail				
Option	Group	Graphic	Film Card	Date
EI9044-05	15.08	ei951gf	T	04-APR-05
Engines	4B3.9, 6A3.4, 6B5.9, B GAS INTERNATIONAL CM556, B4.5, B4.5 CM2350 B129B, B4.5 CM2350 B146C, B4.5 CM2350 B147B, B4.5 RGT, B4.5S, B5.9 G, B5.9 GAS PLUS CM556, B5.9 LPG, B5.9 LPG PLUS CM556, B6.7 CM2350 B121B, B6.7 CM2350 B135B, B6.7 CM2350 B136C, B6.7 CM2350 B148B, B6.7 G CMOH6.0 B125, B6.7N CM2380 B150B, B6.7S, F3.8 CM2350 F120B, F3.8 CM2350 F128C, F3.8 CM2350 F132B, F3.8 F102, G3.9, G5.9, G5.9 CM558, ISB (CHRYSLER), ISB CM2150, ISB CM2150 E, ISB CM550, ISB CM850, ISB/ISD4.5 CM2150 B119, ISB/ISD4.5 CM2150 SN, ISB/ISD6.7 CM2150 B120, ISB/ISD6.7 CM2150 SN, ISB/ISD6.7 CM2880 B126, ISB3.9 CM2220 B107, ISB4.5 CM2150, ISB5.9G CM2180, ISB6.7 2010 DCX PICKUP, ISB6.7 2013 DCX CHASSIS CAB, ISB6.7 CM2150 SQ, ISB6.7 CM2250, ISB6.7 CM2350 B101, ISB6.7 CM2350 B103, ISB6.7 CM2350 B142, ISB6.7 CM2670 B153B, ISB6.7 G CM2180 B118, ISBE CM2150, ISBE CM800, ISBE2/ISBE3 CM850, ISBE4 CM850, ISD4.5 CM2150, ISD6.7 CM2880 D101, ISF2.8 CM2220, ISF2.8 CM2220 AN, ISF2.8 CM2220 EC, ISF2.8 CM2220 ECF2, ISF2.8 CM2220 F101, ISF2.8 CM2220 F117, ISF2.8 CM2220 F122, ISF2.8 CM2220 F126, ISF2.8 CM2220 F129, ISF2.8 CM2220 IAN, ISF3.8 CM2220, ISF3.8 CM2220 AN, ISF3.8 CM2220 F103, ISF3.8 CM2220 F110, ISF3.8 CM2220 F116, ISF3.8 CM2220 F134B, ISF3.8 CM2220 IAN, ISF3.8 CM2350 F109, ISF4.5 CM2220 F123, ISG11 CM2880 G106, ISG11 CM2880 G108, ISG12 CM2880 G107, ISG12 CM2880 G109, ISG12 G CMOH6.0 G111, QSB3.9 30 CM550, QSB3.9 CM2880 B138, QSB4.5 30 CM550, QSB4.5 CM2150 B108, QSB4.5 CM2250 B131, QSB4.5 CM2250 EC, QSB4.5 CM2350 B106, QSB4.5 CM2350 B122			



ei951gf

SMALL | MEDIUM | LARGE

Cart	Ref No	Part Number	Part Description	Required	Remarks
View My Cart					
		EI9044-05	Engine Instrument		Engine Instrument...(More)
					Intake Heater Control.
					Speed Sensor Connection:
					Packard
					Cable Length (Mod To Heater):
					1305
					Required Alternator
					Amperage: 105
					Contains Electrical Intake

					Air Heater
					Control Module, Magnetic
					Switches, Wiring Harness,
					Bracket and Mounting
					Hardware.
					For Use With 12 Volt "B"
					Series Engines.
<input type="checkbox"/>	1	70299	Heavy Hexagon Nut	2	1/4 - 20 UNC
<input type="checkbox"/>	2	70446	Hexagon Head Cap Screw	4	1/4 - 20 X 1/2 in
<input type="checkbox"/>	3	3971301	Wiring Harness	1	
<input type="checkbox"/>	4	3613547	Temperature Sensor	1	Intake Manifold
<input type="checkbox"/>	5	3900625	Hexagon Flange Head Cap Screw	4	M6 X 1.00 X 10.
<input type="checkbox"/>	6	3901249	Hexagon Flange Head Cap Screw	2	M12 X 1.75 X 25.
<input type="checkbox"/>	7	3909892	Twelve Point Cap Screw	1	M10 X 1.50 X 45
<input type="checkbox"/>	8	3916301	Magnetic Switch	2	
<input type="checkbox"/>	9	3971315	Wiring Harness	1	
<input type="checkbox"/>	10	3919368	Wiring Harness	1	
<input type="checkbox"/>	11	3921277	Heater Control Module	1	
<input type="checkbox"/>	12	4019678	Magnetic Switch Bracket	1	